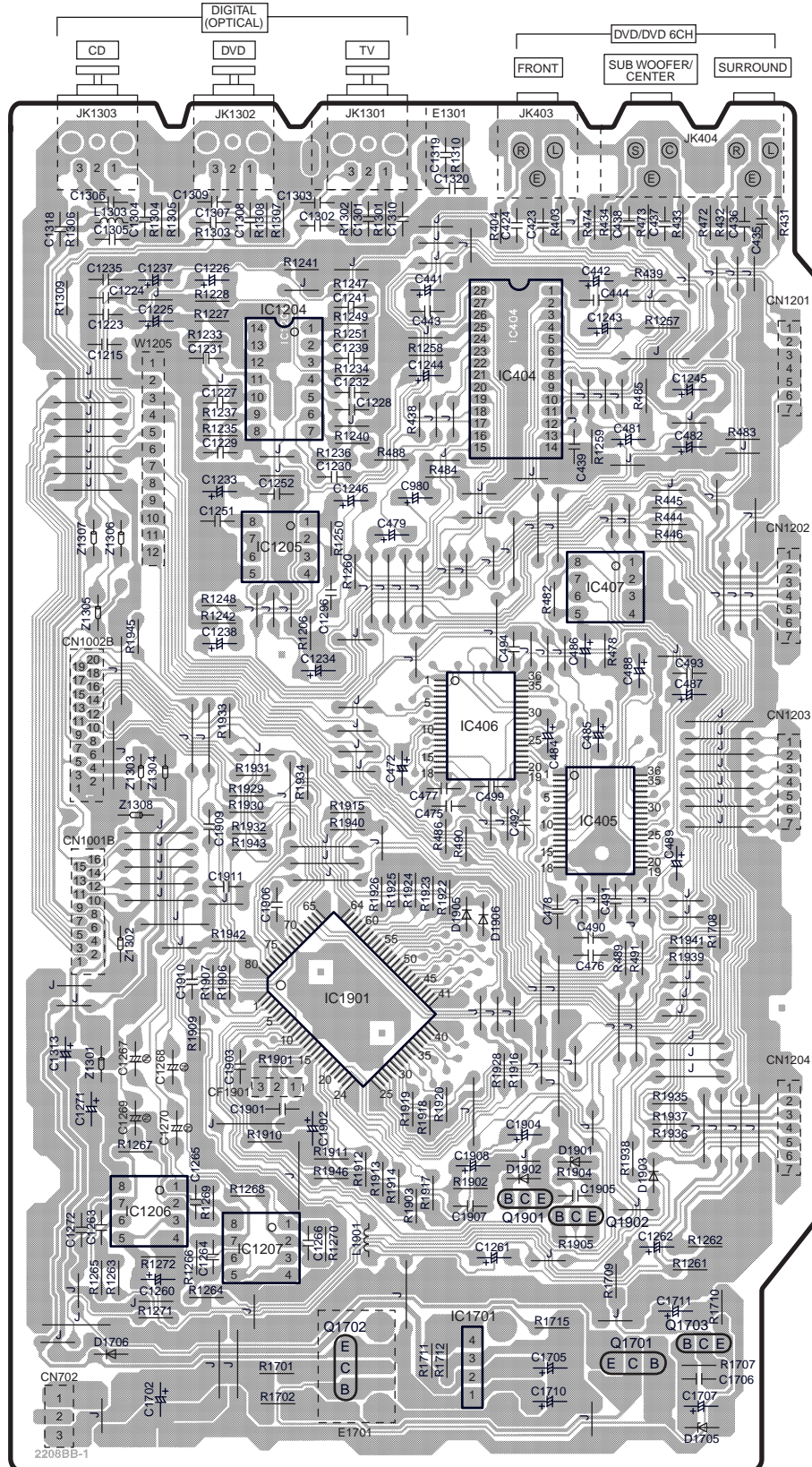


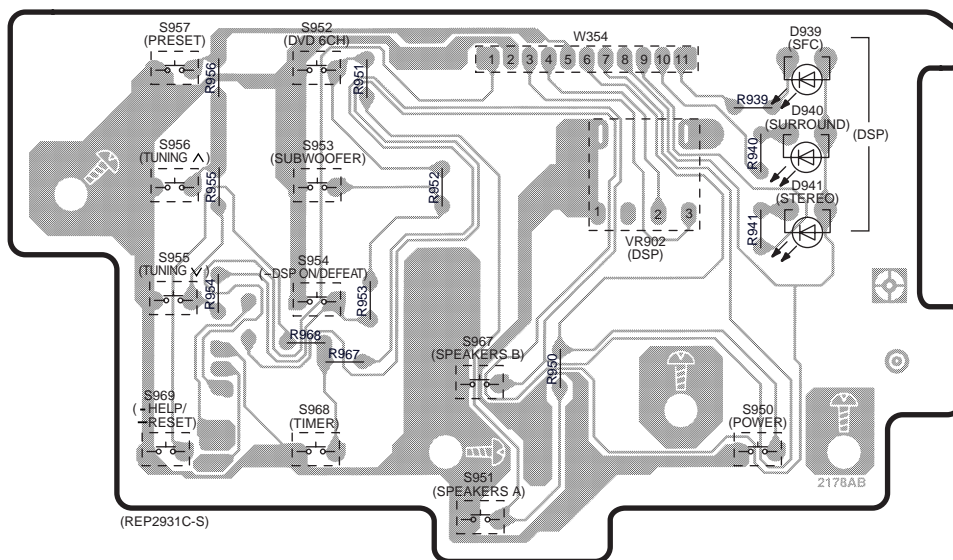
B SURROUND P.C.B.

1
2
3
4
5
6
7
8



(REP2932E-P [E,EG])
(REP2932F-P [EB])

E OPERATION P.C.B.



■ ELECTRICAL PARTS LOCATION

Ref. No.	Lo. No.	Ref. No.	Lo. No.	Ref. No.	Lo. No.	Ref. No.	Lo. No.	Ref. No.	Lo. No.	Ref. No.	Lo. No.	Ref. No.	Lo. No.	Ref. No.	Lo. No.
B SURROUND P.C.B.															
IC404	3D	CN1001B	6B	R488	3C	R1271	8B	R1915	5C	C438	2E	C1229	3C	C1304	2B
IC405	5D	CN1002B	5B	R489	6E	R1272	7B	R1916	6D	C439	3D	C1230	3C	C1305	2B
IC406	5D	CN1201	3E	R490	5D	R1301	2C	R1917	7D	C441	2D	C1231	3B	C1306	2B
IC407	4D	CN1202	4E	R491	6E	R1302	2C	R1918	7D	C442	2D	C1232	3C	C1307	2C
IC1204	3C	CN1203	5E	R1206	4C	R1303	2C	R1919	7D	C443	3D	C1233	4C	C1308	2C
IC1205	4C	CN1204	7E	R1227	3C	R1304	2B	R1920	7D	C444	3D	C1234	4C	C1309	2C
IC1206	7B	JK403	2D	R1228	3C	R1305	2B	R1922	6D	C472	5C	C1235	2B	C1310	2C
IC1207	7C	JK404	2E	R1233	3B	R1306	2B	R1923	6D	C475	5D	C1237	2B	C1313	6B
IC1701	8D	JK1301	2C	R1234	3C	R1307	2C	R1924	6D	C476	6D	C1238	4C	C1318	2B
IC1901	6C	JK1302	2C	R1235	3C	R1308	2C	R1925	6C	C477	5D	C1239	3C	C1319	2D
Q1701	8E	JK1303	2B	R1236	3C	R1309	3B	R1926	6C	C478	6D	C1241	3C	C1320	2D
Q1702	8C	E1301	2C	R1237	3C	R1310	2D	R1928	6D	C479	4C	C1243	3D	C1702	8B
Q1703	8E	E1701	8C	R1240	3C	R1701	8C	R1929	5C	C481	3E	C1244	3D	C1705	8D
Q1901	7D	W1205	3B	R1241	2C	R1702	8C	R1930	5C	C482	3E	C1245	3E	C1706	8E
Q1902	7D	R403	2D	R1242	4C	R1707	8E	R1931	5C	C484	5D	C1246	4C	C1707	8E
D1705	8E	R404	2D	R1247	2C	R1708	6E	R1932	5C	C485	5D	C1251	4C	C1710	8D
D1706	8B	R431	2E	R1248	4C	R1709	7E	R1933	5C	C486	4D	C1252	4C	C1711	8E
D1901	7D	R432	2E	R1249	3C	R1710	8E	R1934	5C	C487	5E	C1260	7B	C1901	7C
D1902	7D	R433	2E	R1250	4C	R1711	8D	R1935	7E	C488	4E	C1261	7D	C1902	7C
D1903	7E	R434	2E	R1251	3C	R1712	8D	R1936	7E	C489	5E	C1262	7E	C1903	6C
D1905	6D	R438	3D	R1257	3E	R1715	8D	R1937	7E	C490	6D	C1263	7B	C1904	7D
D1906	6D	R439	2E	R1258	3D	R1901	6C	R1938	7E	C491	6E	C1264	7C	C1905	7D
L1303	2B	R444	4E	R1259	3D	R1902	7D	R1939	6E	C492	5D	C1265	7B	C1906	6C
L1901	7C	R445	4E	R1260	4C	R1903	7D	R1940	5C	C493	4E	C1266	7C	C1907	7D
Z1301	6B	R446	4E	R1261	7E	R1904	7D	R1941	6E	C494	4D	C1267	6B	C1908	7D
Z1302	6B	R472	2E	R1262	7E	R1905	7D	R1942	6C	C499	5D	C1268	6B	C1909	5C
Z1303	5B	R473	2E	R1263	7B	R1906	6C	R1943	5C	C980	4D	C1269	7B	C1910	6B
Z1304	5B	R474	2D	R1264	8B	R1907	6C	R1945	4B	C1215	3B	C1270	7B	C1911	5C
Z1305	4B	R478	4D	R1265	7B	R1909	6B	R1946	7C	C1223	3B	C1271	7B		
Z1306	4B	R482	4D	R1266	7B	R1910	7C	C423	2D	C1224	3B	C1272	7B		
Z1307	4B	R483	3E	R1267	7B	R1911	7C	C424	2D	C1225	3B	C1296	4C		
Z1308	5B	R484	3D	R1268	7C	R1912	7C	C435	2E	C1226	2C	C1301	2C		
CF1901	6C	R485	3E	R1269	7C	R1913	7C	C436	2E	C1227	3C	C1302	2C		
CN702	8B	R486	5D	R1270	7C	R1914	7C	C437	2E	C1228	3C	C1303	2C		
E OPERATION P.C.B.															
D939	2K	S950	3K	S954	3I	S967	3I	R939	2K	R951	2I	R955	2H		
D940	2K	S951	4I	S955	3H	S968	3I	R940	2K	R952	2I	R956	2H		
D941	2K	S952	1I	S956	2H	S969	3H	R941	2K	R953	3I	R967	3I		
VR902	2J	S953	2I	S957	2H	W354	2J	R950	3J	R954	3H	R968	3I		